



Product catalog  
Children's furniture





## Contents

<b>tiSsi® step highchair</b>	<b>4</b>
<i>The chair that grows with the child</i>	
<b>Foldable hexagonal playpen tiSsi® / Moritz</b>	<b>10</b>
<i>Flexible and safe</i>	
<b>tiSsi® side bed</b>	<b>16</b>
<i>By your side from the very beginning</i>	
<b>tiSsi® foldable crib</b>	<b>20</b>
<i>Probably the quickest comfortable sleeping place for kids</i>	
<b>near2me cozy nest by tiSsi®</b>	<b>20</b>
<i>The comfortable and safe sleeping place from birth</i>	
<b>FELIX tiSsi® Learning Tower</b>	<b>24</b>
<i>Der Turm, der mit dem Kind mitwächst</i>	
<b>tiSsi® Jonas &amp; Paul Student Desks</b>	<b>28</b>
<i>Ergonomic, grows with your child and is beautiful</i>	



## tiSsi® step highchair®

*The chair that grows with the child*

tiSsi®, the comfortable and ergonomic chair for infants from 6 months, fits any dining table thanks to its unique S-shape. It offers additional tilt-proof safety, especially when tiny tots try to push the chair away from the table.

The tiSsi® highchair by DawOst raises your infant to the optimum sitting position. tiSsi® was designed so that tiny tots can sit at the table at an early age, thus learning important social interactions.

The tiSsi® newborn attachment promotes interaction from birth because it brings your newborn up to eye level with the rest of the family at the table. This enables eye contact and provides a great opportunity to spend quality time together and strengthen bonding. Your baby is comfortably held in the ergonomically shaped seat.

Due to the 2-setting tilt adjustment, when your child begins eating solids, you have the option of feeding it in this already comfortable, safe and back-friendly highchair

## tiSsi® step highchair®

The chair that grows with the child



- » Grows with your child – even very young children can sit at the table and learn from the grown-ups
- » Solid beechwood guarantees durability and stability
- » Height and depth of the seat and footrest are adjustable
- » Extremely tilt-proof on all sides
- » Ergonomically developed
- » max. load capacity 85 kg
- » Made from FSC certified materials



## Step highchair

- 1| tiSsi® natural incl. belt  
Item no. 100001  
(Table not inclusive)
- 2| tiSsi® gray incl. belt  
Item no. 100091  
(bumper bar not inclusive)
- 3| tiSsi® white incl. belt  
Item no. 100002



## Newborn-Set for step highchair by tiSsi®



1|



2|



3|



- » 2-setting tilt adjustment
- » Usable from birth; suitable for infants from 0-6 months
- » Easy assembly
- » 5-point harness
- » Solid beechwood guarantees durability
- » Extremely tilt-proof on all sides
- » Ergonomically developed



## Baby attachment

- 1| tiSsi® white/anthracite  
Item no. 100284
- 2| tiSsi® natural/anthracite  
Item no. 100283
- 3| tiSsi® gray/anthracite  
Item no. 100285

## Accessories

- 4| tiSsi® bumper bar, natural  
Item no. 100003
- 5| tiSsi® table, natural  
Item no. 100005
- 6| tiSsi® bumper bar, gray  
Item no. 100093
- 7| tiSsi® table, gray  
Item no. 100094
- 8| tiSsi® bumper bar, white  
Item no. 100004
- 9| tiSsi® table, white  
Item no. 100006

## Upholstery

- 10| tiSsi® upholstery, light blue crown  
Item no. 100236
- 11| tiSsi® upholstery, dark blue  
Item no. 100008
- 12| tiSsi® upholstery, gray stars  
Item no. 100010
- 13| tiSsi® upholstery, gray diamond  
Item no. 100237
- 14| tiSsi® upholstery, brown  
Item no. 100011

## Accessories for step highchair by tiSsi®



4|



5|



6|



7|



8|



9|

## Upholstered tiSsi® step highchair



10|



11|



12|



13|



14|



## Foldable hexagonal tiSsi® / Moritz hexagonal playpen

*Flexible and safe*

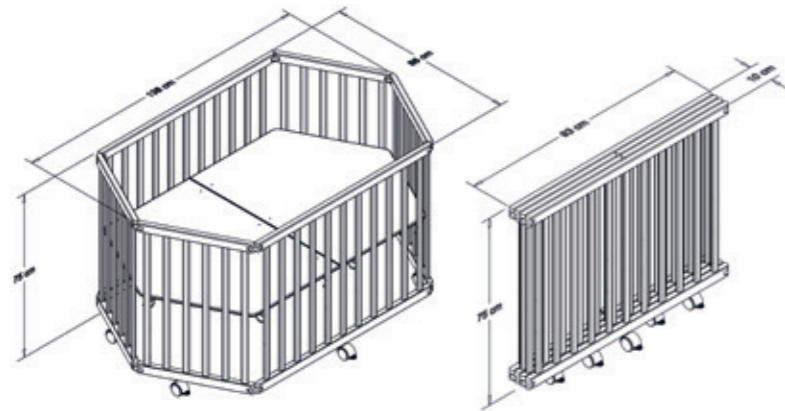
The fast all-rounder: The foldable tiSsi® hexagonal playpen and Moritz playpen!

Our flexible products are perfect for small homes, daycare facilities, hospitals and hotels. A safe and comfortable place to lie down is also a must when visiting grandparents!

With the tiSsi® playpen, you can always adapt to the conditions at hand. Thanks to the simple, tool-free folding mechanism, this all-rounder can easily be put up or folded away in minutes, as and when required.

## Foldable tiSsi® hexagonal playpen

Flexible and safe



- » Tool-free assembly
- » Solid beechwood guarantees durability
- » 6 castors with brakes
- » Flexibility due to space-saving folding function
- » Height-adjustable bottom plate with cotton cover: from approx. 24 to 65 cm
- » Sleeping area: 93 x 133 cm
- » Dimensions when set up: (WxLxH) approx. 86 x 138 x 75 cm
- » Dimensions when folded: (WxLxH) approx. 10 x 93 x 75 cm (without base plate)



## Hexagonal playpens

- 1| tiSsi® hexagonal playpen, natural  
Item no. 100028
- 2| tiSsi® hexagonal playpen, white  
Item no. 100029

## Hexagonal playpen accessories

- 3| tiSsi® playpen mattress  
Item no. 100023

## Hexagonal liner

- 4| tiSsi® liner, light blue crown  
Item no. 100232
- 5| tiSsi® liner, gray stars  
Item no. 100024
- 6| tiSsi® liner, gray diamond  
Item no. 100233

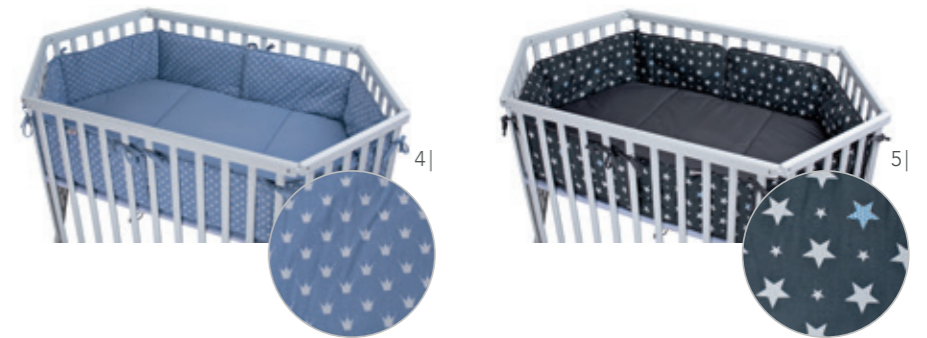
## Hexagonal fitted sheet

- 8| tiSsi® fitted sheet, pink  
Item no. 100156
- 9| tiSsi® fitted sheet, gray  
Item no. 100158
- 10| tiSsi® fitted sheet, white  
Item no. 100159

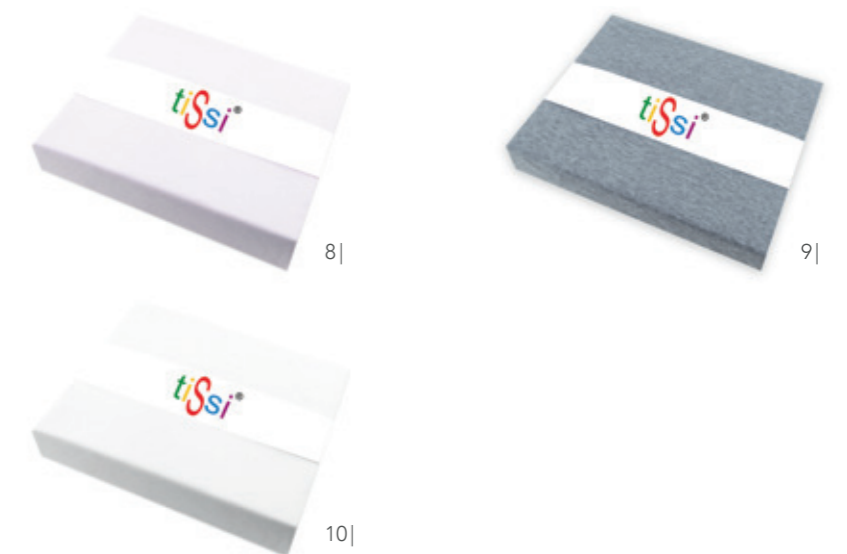
## Mattress tiSsi® hexagonal playpen



## Liner tiSsi® hexagonal playpen



## Fitted sheet tiSsi® hexagonal playpen



## "MORITZ" folding playpen

Flexible and safe



- » Tool-free assembly
- » Base plate adjustable to 3 different heights
- » Flexibility due to space-saving folding function
- » Solid beechwood guarantees durability
- » Lying area approx. 96x89 cm
- » assembled (WxLxH) approx. 93 cm x 100cm x 75 cm
- » folded (WxLxH) approx. 10 cm x 100 cm x 75 cm (without base plate)



## "MORITZ" playpen

- 1| tiSsi®Moritz playpen, natural  
Item no. 100281
- 2| tiSsi®Moritz playpen, white  
Item no. 100282

## "MORITZ" mattress

- 3| tiSsi® Moritz playpen mattress  
Item no. 100297

## "MORITZ" liner

- 4| tiSsi®liner, light blue crown  
Item no. 100279
- 5| tiSsi®liner, gray stars  
Item no. 100280
- 6| tiSsi®liner, gray diamond  
Item no. 100278

## "MORITZ" fitted sheet

- 7| tiSsi®fitted sheet, white  
85x89 cm | Item no. 100356
- 8| tiSsi®fitted sheet, gray  
85x89 cm | Item no. 100355

## Mattress playpen "MORITZ"



## Liner playpen "MORITZ"



## Fitted sheet "MORITZ"







### tiSsi® bedside crib

*By your side from the very beginning*

The tiSsi® is perfect from day one. Newborns can sense when they're close to their parents, which considerably improves their night's sleep. You can keep an eye on your little treasure at all times right next to your bed, without disturbing your sleep!

The barred sides included in delivery mean the bedside crib can be transformed into a regular bassinet or full child's crib in just two steps.

## tiSsi® "SOPHIE" side bed/rollaway bed

Suitable for beds with a height of 39-61cm

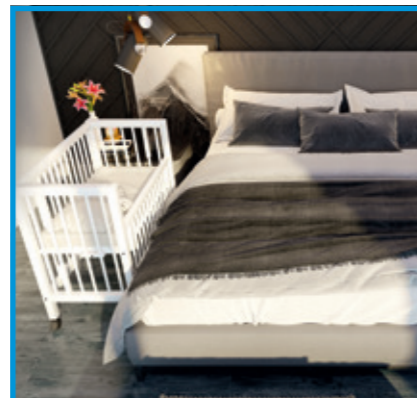


## tiSsi® "MAXI" side bed/rollaway bed

Suitable for box spring beds with a height of 56-73cm



- » Solid beech wood guarantees a long durability
- » 4 wheels with brakes
- » Steplessly variable height adjustment so it perfectly adapts to your bed height
- » Including locking lattice and fastener for the parent's bed
- » "SOPHIE" sleeping surface: 40 x 90 cm ; "SOPHIE" bed size: approx. 45 x 95 cm;
- » "MAXI" sleeping surface: 50x90 cm ; "MAXI" bed size: approx. 55 x 95 cm



## Side bed "SOPHIE"

- 1| tiSsi® side bed, natural  
90x40 cm | Item no. 100019
- 2| tiSsi® side bed, white  
90x40 cm | Item no. 100022

## Side bed "MAXI"

- 3| tiSsi® side bed, natural  
90x50 cm | Item no. 100334
- 4| tiSsi® side bed, white  
90x50 cm | Item no. 100335

## Mattresses

- 5| "SOPHIE"  
tiSsi® side bed, mattress  
90x40 cm | Item no. 100020
- 6| "MAXI"  
tiSsi® side bed, mattress  
90x50 cm | Item no. 100336

## Liners

- 7| "SOPHIE"  
tiSsi® liner, light blue crown  
90x40 cm | Item no. 100234
- 8| "MAXI"  
tiSsi® liner, light blue crown  
90x50 cm | Item no. 100359
- 9| "SOPHIE"  
tiSsi® liner, gray stars  
90x40 cm | Item no. 100089
- 10| "MAXI"  
tiSsi® liner, gray stars  
90x50 cm | Item no. 100358
- 11| "SOPHIE"  
tiSsi® liner, gray diamond  
90x40 cm | Item no. 100235
- 12| "MAXI"  
tiSsi® liner, gray diamond  
90x50 cm | Item no. 100357

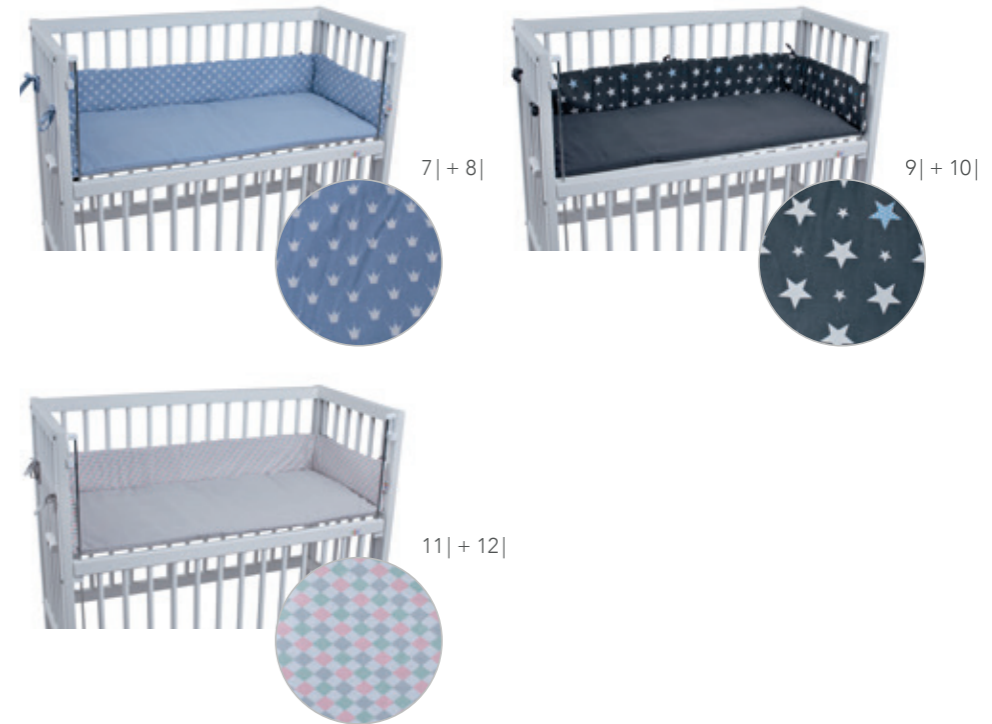
## Fitted sheets

- 13| "SOPHIE"  
tiSsi® fitted sheet, pink  
90x40 cm | Item no. 100197
- 14| "SOPHIE"  
tiSsi® fitted sheet, white  
90x40 cm | Item no. 100198
- 15| "MAXI"  
tiSsi® fitted sheet, white  
90x50 cm | Item no. 100337
- 16| "SOPHIE"  
tiSsi® fitted sheet, gray  
90x40 cm | Item no. 100199
- 17| "MAXI"  
tiSsi® fitted sheet, gray  
90x50 cm | Item no. 100338

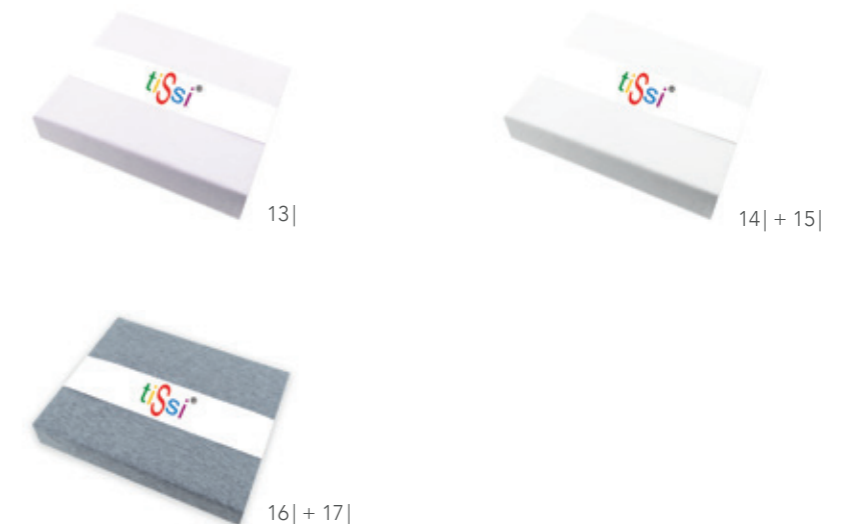
## Mattress "SOPHIE" or "MAXI"



## Liner "SOPHIE" or "MAXI"



## Fitted sheet "SOPHIE" or "MAXI"



## tiSsi® foldable crib

*Probably the quickest comfortable sleeping place for kids*

In a few simple steps your tiny tot will be in dreamland with our high-quality and practical folding bed!

The space-saving all-rounder stands out for its maximum comfort and safety!

Be flexible – it's your folding bed, too!

## near2me

*The safe snuggle space*

Our near2me baby nest offers your child a safe and comfortable bed and space to lie down. This is made possible by the soft upholstery and filling materials as well as a raised edge, which ensures safe movements and also enhances wellbeing. Our near2me is reversible, so you can use both colors (on the front and back). Loving hearts at the lower edge of the nest can be used for individual size adjustment. This enables the nest to grow with your child.

near2me is a great help for any parent, especially for sleep in the first year of life and when traveling.

## tiSsi® foldable crib

Probably the quickest comfortable sleeping place for kids



## Accessories tiSsi® crib



- » Tool-free assembly
- » Solid beechwood guarantees durability
- » 3 slip rungs
- » 4 castors with brakes
- » Flexibility due to space-saving folding function
- » Comfort mattress with 100% cotton cover (removable and washable up to 30° C)
- » Sleeping area: 120 x 60 cm
- » Made out of FSC certified material



## ◀ Crib

- 1| tiSsi® crib, natural  
Item no. 100012
- 2| tiSsi® crib, white  
Item no. 100013

## Accessoires

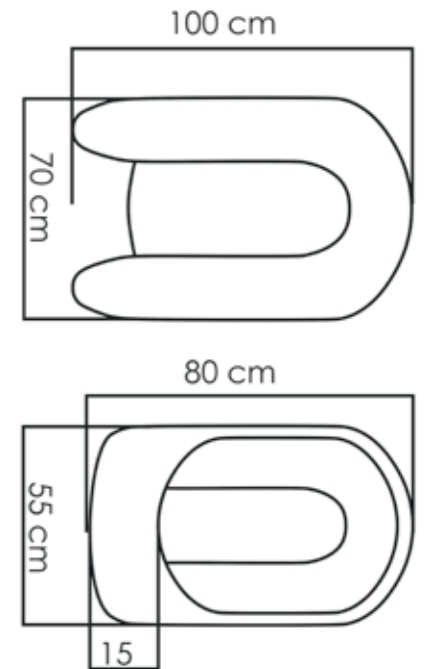
- 3| tiSsi® crib, cover  
Item no. 100014

## Cozy nest ▶

- 1| near2me by tiSsi®  
Item no. 100196

near2me®  
by tiSsi®

The comfortable and safe sleeping place from birth



- » Endless possibilities
- » Product weight: approx. 1 kg
- » Dimensions when open (WxHxD): approx. 55 x 15 x 100 cm
- » Dimensions when closed (WxHxD): approx. 55 x 15 x 80 cm
- » Very easy to care for
- » ÖKO-TEX
- » 100% Cotton
- » Safe and cozy, wherever you are





## FELIX tiSsi® Learning Tower

*The tower that grows with your child*

The tiSsi® Learning Tower lifts your child up to the optimal position. The tiSsi® tower was designed so that it brings your child closer to you in the kitchen or at the table, allowing him or her to experience social interactions and learn from you early on.

When your child helps you in the kitchen, he or she can build a better bond with you and develop better language and social skills.

The tiSsi® Learning Tower exceeds all international safety standards due to the long research and development process.

It's a practical everyday helper when you have children. The Learning Tower is especially secure and offers children aged 1-4 years appropriate freedom of movement.

## FELIX tiSsi® Learning Tower

*The tower that grows with your child*



- » Grows with your child - even the smallest children can stand at eye level in the kitchen and help their mom or dad with the cooking
- » Height-adjustable stand and footrest
- » Easy mounting
- » Solid beech wood guarantees long durability and high stability
- » Extremely tilt resistant on all sides
- » Ergonomically developed
- » Dimensions assembled (WxHxD): approx. 40 x 81 x 39 cm
- » Product weight: approx 9 kg
- » Max. load capacity: 40 kg



## FELIX Learning Tower

- 1| FELIX Learning tower, natural  
Item no. 100339
- 2| FELIX Learning tower, gray  
Item no. 100341
- 3| FELIX Learning tower, white  
Item no. 100340
- 4| FELIX Learning tower, oak  
Item no. 100496





## tiSsi® Jonas & Paul Student Desks

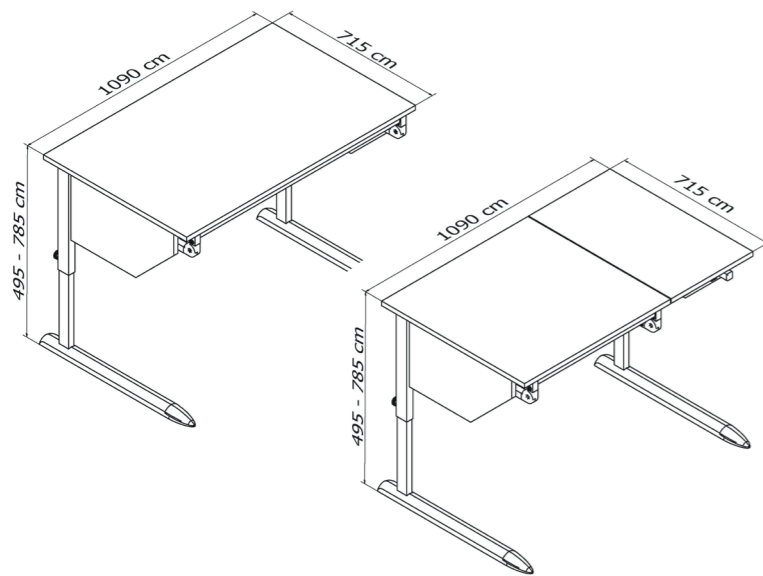
*Ergonomic, grows with your child and is beautiful*

The sturdy Jonas & Paul children's desks from the tiSsi collection are the ideal foundation for many years of schooling. The desk grows with your child and accompanies them over several years during their studies. And it enables your child to work flexibly without getting tired.

This makes math, writing and other school tasks much easier and more fun. Since the desk grows with your child, it's perfect for the transition from being a school kid to a teenager. The worktop can also be tilted.

## tiSsi® Jonas & Paul Student Desks

Ergonomic, grows with your child and is beautiful



- » Solid metal frame
- » Table top with tilt adjustment
- » Jonas table top 68 x 108 cm (one top)
- » Paul table top (split top with a fixed top) 68 x 69cm (adjustable top) + 68 x 39cm (fixed element)
- » Multiple height adjustment
- » Ergonomic construction
- » Fully solid, high-quality wooden feet made of European oak
- » Age: from 4 to 14 years



### Student Desks

- 1| tiSsi® student desk Jonas  
Item no. 100344
- 2| tiSsi® student desk Paul  
Item no. 100345

### Drawer

- 3| tiSsi® drawer  
Item no. 100346

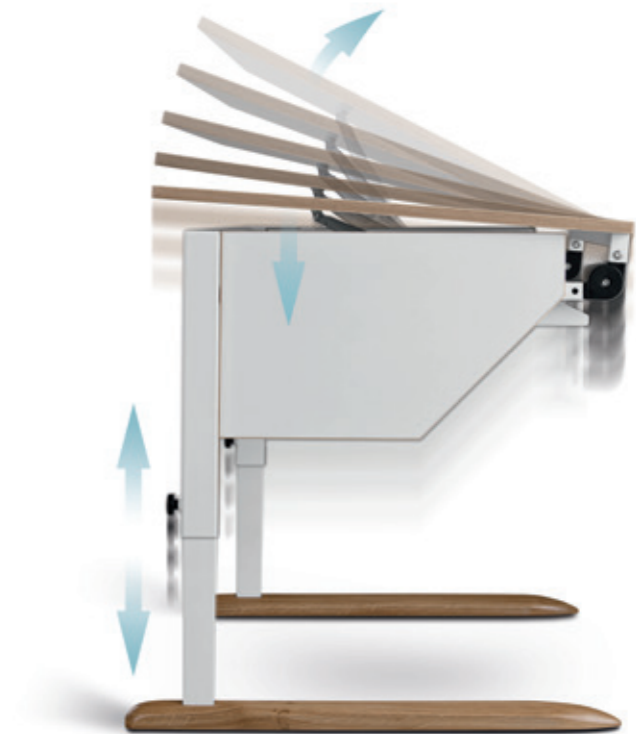
### Drawer insert

- 4| tiSsi® drawer insert  
Item no. 100347

### Drawer for student desks



### Drawer insert for student desks





## Environmentally safe materials

Nothing is more important to us than the well-being of your children



“On the one hand, a highchair should be safe, comfortable and easy to use, and should also be usable for as long as possible. On the other hand, it should also be free of harmful substances, because children sit on it every day and come into a lot of contact with it,” says Ökotest.

Our tiSsi® step highchair was rated “very good” by Ökotest!

*Safety and quality are top priorities in the manufacture of all tiSsi® products. We completely dispense with the use of any harmful substances.*

*Safety and the use of ecologically sound materials are our top priorities in the production of the tiSsi® range!*

*When developing our products, we always uphold all applicable DIN norms to ensure maximum safety for your children.*

*Nothing is more important to us than the wellbeing of your children!*



All our mattresses are manufactured to the highest quality and hygiene standards, exclusively in the EU.

tiSsi®

near2me®  
by tiSsi®

## Contact information

DawOst GmbH

Calmontstraße 8  
56814 Bremm  
Germany

Phone: +49 2675/911440  
Fax: +49 2675/9114415  
e-mail: info@tissi.de